

Stabalux SOL

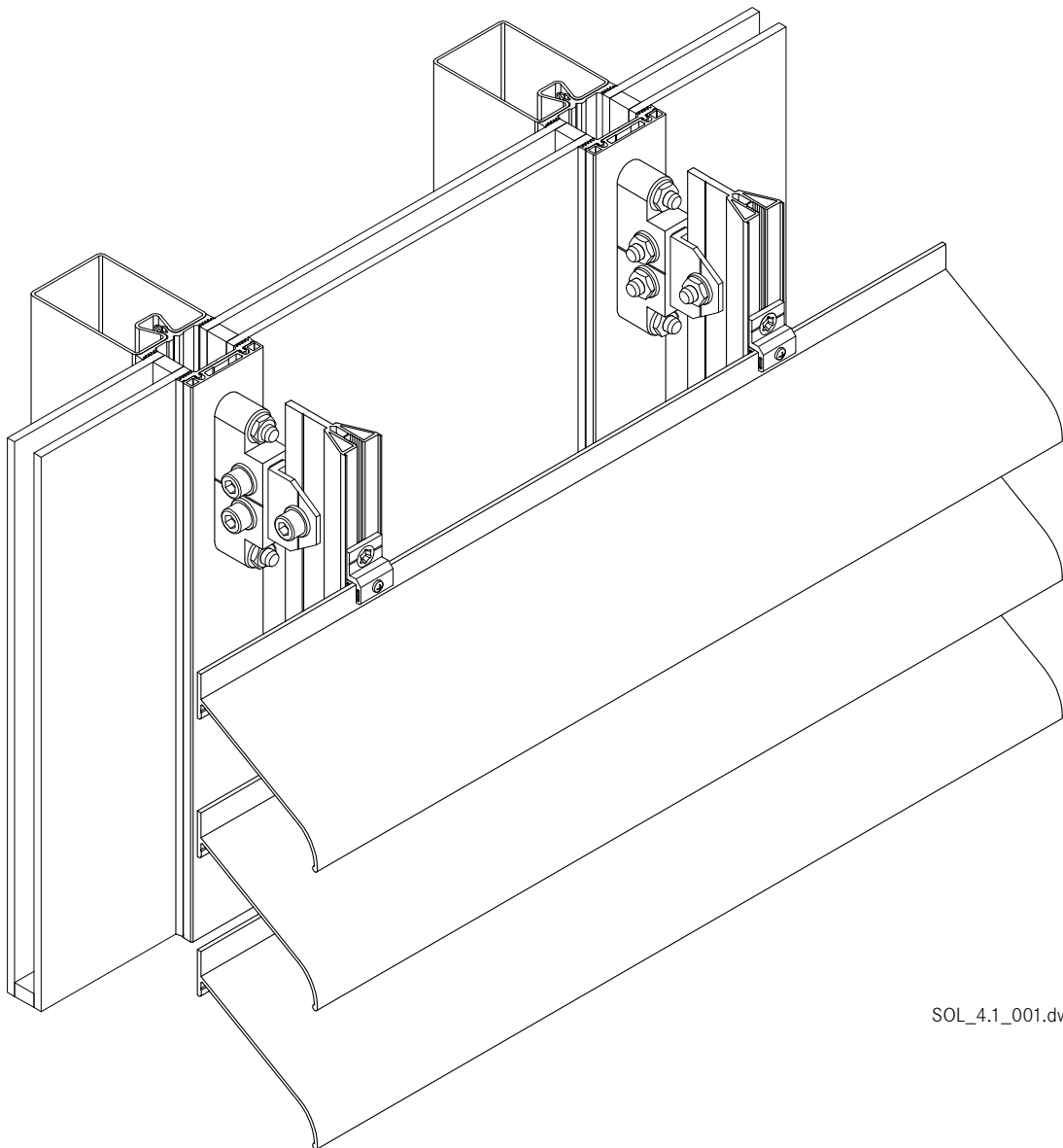
4.1	Stabalux SOL - System	3
4.1.1	System properties	3
4.1.2	System design	7
4.1.3	Attachment to the building	8
4.1.4	Determining the lamellae spacing	9
4.1.5	Lamella forms and lamella spacing	10
4.1.6	Cleaning function	11
4.2	Stabalux SOL - Project planning	13
4.2.1	Project planning with Stabalux SOL	13

Stabalux SOL System

System properties

4.1
1

Sun protection system



SOL_4.1_001.dwg

System properties

4.1
1

Stabalux SOL system description

Stabalux SOL is a rigid aluminium sun protection system that is mounted outside of glass facades, glass roofs or windows.

Stabalux puts together all necessary parts to suit the specific property and delivers them ready to mount.

Different lamellae and variations in the spacing between them are used to control the degree of sun protection and transparency. The lamellae can be mounted parallel with or protruding horizontally in front of the vertical glass surfaces or on glass roofs.

Besides the sun protection requirements, particular care is taken to ensure correct connection with the glazing system during the development of Stabalux SOL. The system fully satisfies the requirements placed in stability, tightness, flexibility and ease of assembly. The loads caused by the sun protection are transferred directly to the supporting structure without exerting any compressive load on the glazing.

The arrangement of the sun protection should be designed to:

- reduce the irradiation energy
- to provide anti-glare
- to ensure the desired transparency
- to allow time-dependent adjustment of the degree of irradiation

Sun position diagrams are available in order to select the suitable lamellae and lamellae spacing.

The sun protection can be mounted on all standard facades and glass roof systems, as well as on solid structures.

Stabalux SOL sun protection is available in natural aluminium colours or in a powder-coated version. Special colours are possible.

Special separating elements allow zonal opening, raising or folding down of the lamellae for cleaning purposes.

System design

4.1 2

Assembly sequence

1. The sun protection bearings (3) are screwed on to the mullions of the glass facade in predefined intervals. It is necessary to dismantle the cover strips if the system is fitted retroactively.
2. Threaded bars M10 (9), designed to suit the glass thickness, are screwed into the sun protection bearings (3) before the cover strips are fitted.
3. After the cover strips are fitted, a sealing washer and a nut tightened by hand (7) seal off the threaded bar channel and keep the sun protection mounts in a predefined interval from the glazing.
4. The clamping plate (8) is pushed on to the threaded bars and fastened against the sun protection bearing using nuts (3). Different system sizes of the clamping plates allow for variable intervals between the sun protection and the glass.
5. The lamella fork (10) is the connecting piece between the clamping plate and the lamella carrier rail (11). At the same time, the lamella fork is the spacer and pivot bearing for the function 'Cleaning position' of the sun protection lamellae. The lamellae are connected to form one unit and can be folded up and down as required. The size of the zonal units is variable. Gas spring solutions are possible to improve handling.
6. The different lamella types (15) are attached to the lamella carrier rail (11) using lamella holders (13) and mounting brackets (14). Rubber profiles (12) reduce the vibration acting on the supporting structure and hence allow the lamellae to move silently when extending longitudinally. An additional mounting bracket is attached at each point to ensure that longitudinal extension proceeds in one defined direction.

Caption:

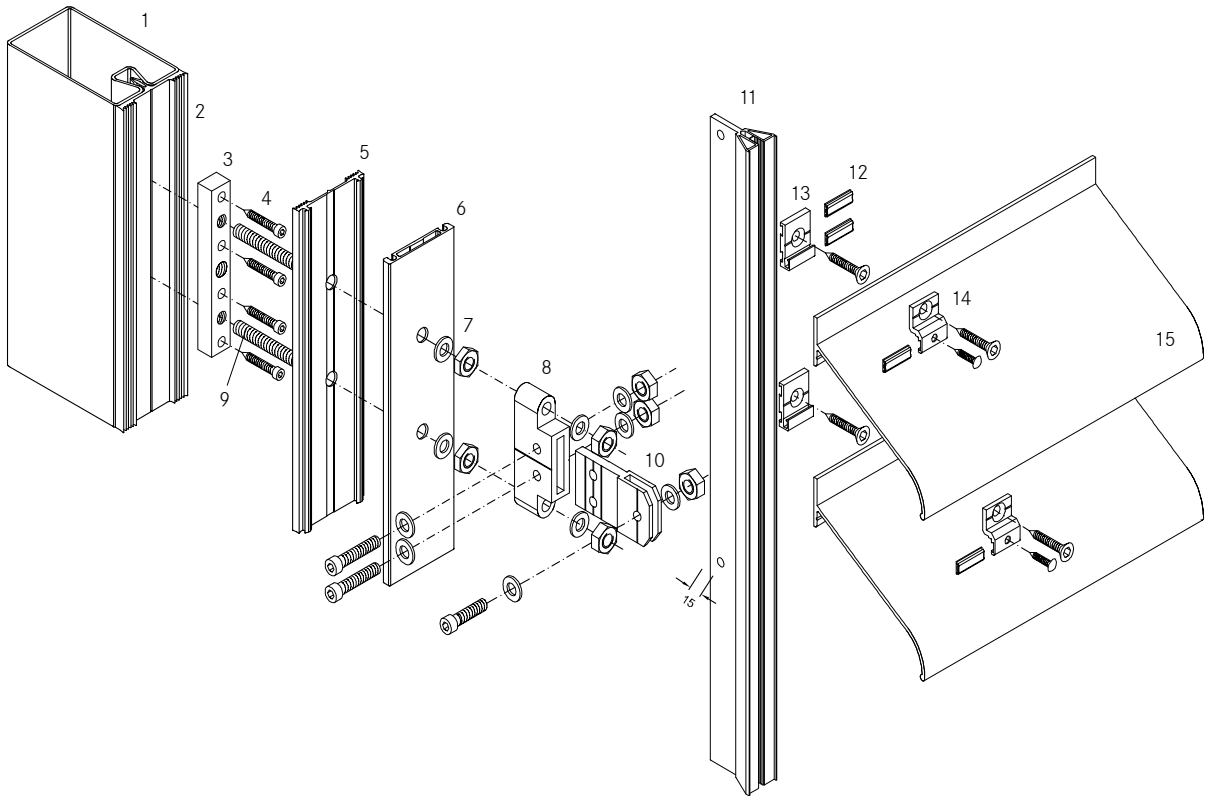
1. Threaded tube
2. Inner seal GD 62xx / GD 52xx
3. Bearing SZ 0010
4. Screw Z0114
5. Outer seal GD 6024 /GD 5024
6. Cover strip / Upper strip discretionary
7. Washer SZ 0019 / Nut SZ 0109
8. Clamping plate SZ 0037
9. Threaded bar based on glass thickness, e.g. SZ 0151
10. Lamella fork SZ 0041
11. Supporting profile SZ 0003
12. Rubber profile SZ 0009
13. Lamella holder
14. Mounting bracket SZ 0007
15. Sun protection lamella SL 5002

Stabalux SOL System

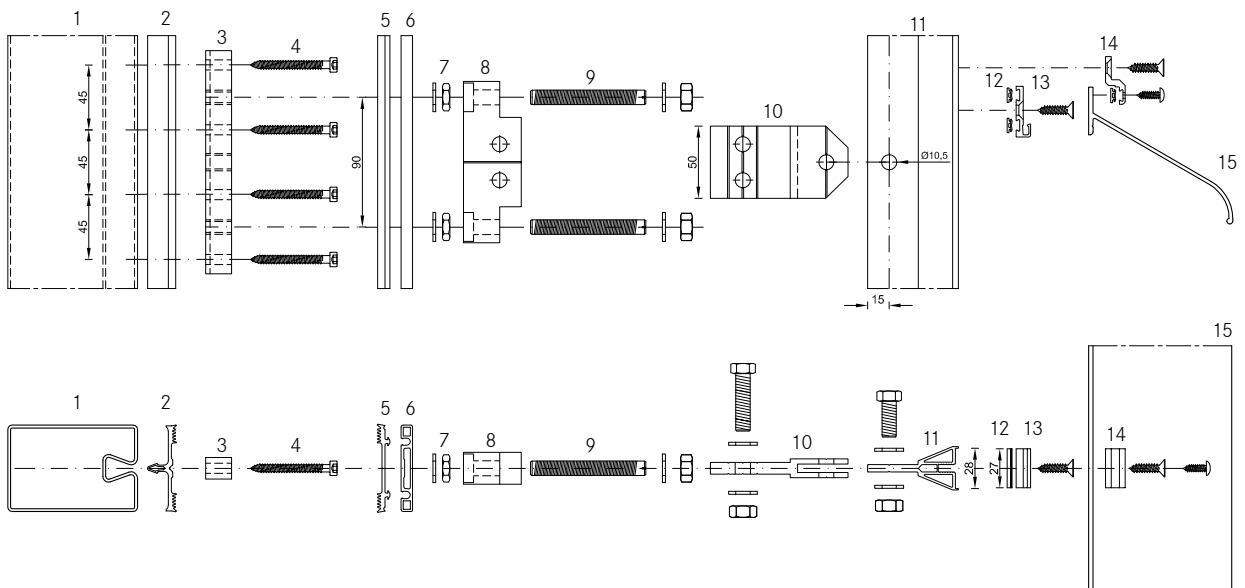
System design

4.1
2

Assembly sequence



SOL_4.1_002.dwg



SOL_4.1_009.dwg

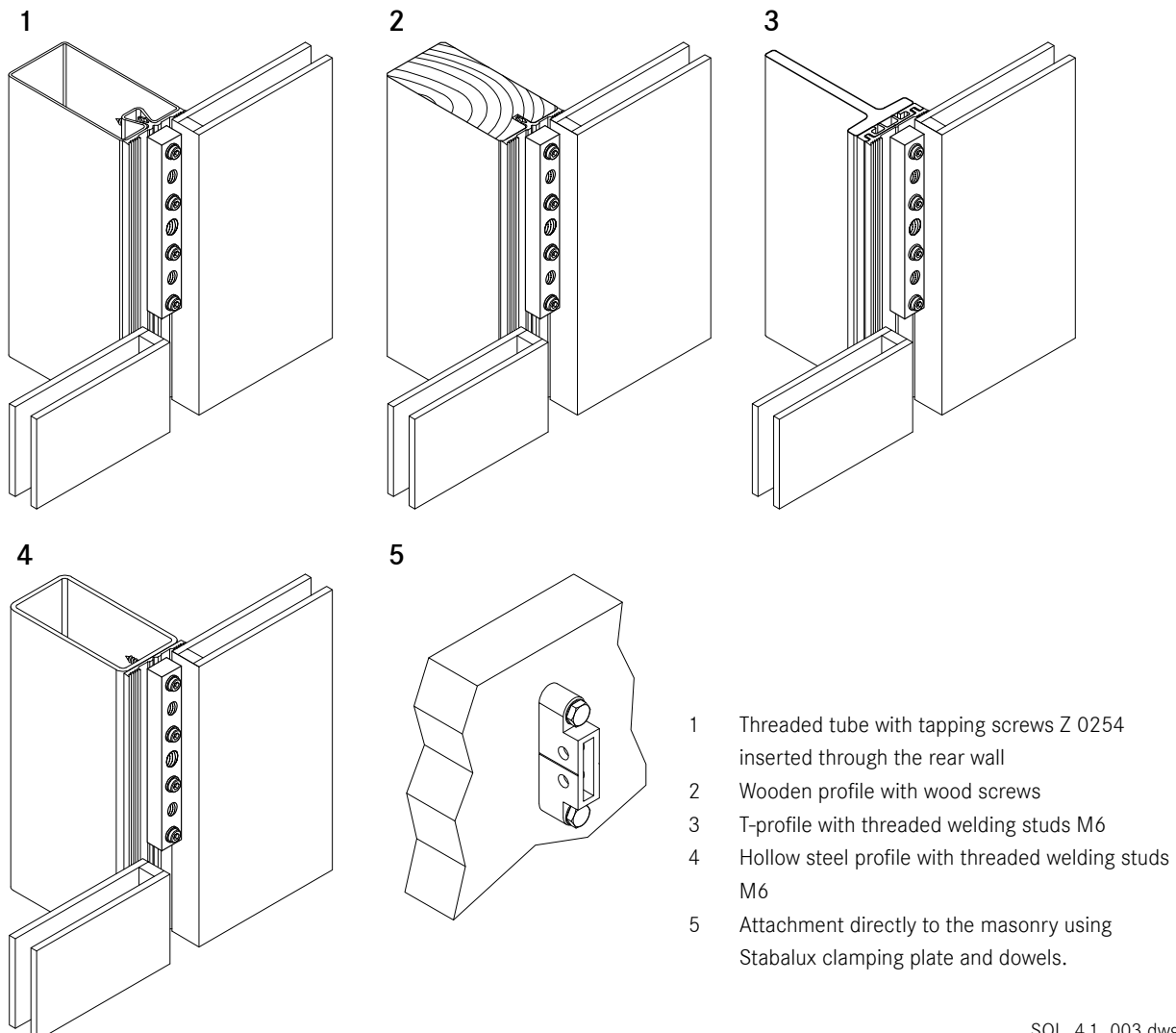
Stabalux SOL System

Attachment to the building

4.1
3

Stainless steel bearings (refer to the following diagrams) are used to directly connect the Stabalux SOL sun protection lamellae with the supporting structure vertical to the glass facades or parallel to the glass surface on glass roofs. This requires a free width of at least 15 mm plus a safety clearance to the glass in the glazing groove. Secure mounting is necessary, as the entire load of the sun protection system is transferred to the bearings. Static analysis is also necessary. The processor is responsible for attaching the sun protection bearings.

Types of attachment



Stabalux SOL System

Determining the lamellae spacing

4.1
4

We use IT-assisted sun position calculations to optimise the sun protection systems that we manufacture. The following spacing tables will help you draw up your own plans.

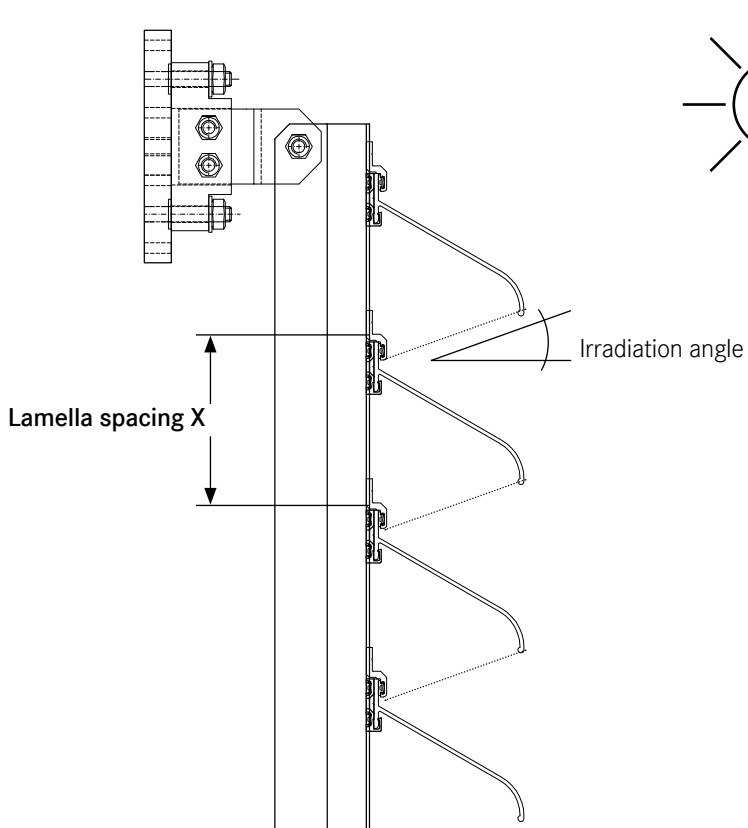
We have considered and weighted two key sun irradiation factors in order to define the lamella spacing. Weak irradiation for a low position of the sun and the corresponding anti-glare effects, as well as the high position of the sun with its more substantial energy irradiation, equivalent to the unwanted thermal load during summer. In our tables, we have compromised between transparency and anti-glare, as additional energy caused by solar irradiation is considered a more positive effect in the cold months of the year. This may lead to glare over the course of the day.

Spacing between the sun protection and the glazing

Various clamping plates can be used to influence the spacing between the sun protection lamellae and the glass. Kindly refer to the table on the following page.

Lamella length

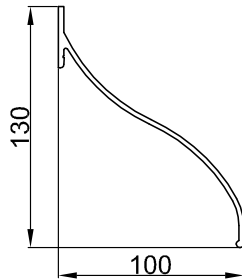
The lamellae can be provided in lengths of up to 6 m. The lamellae are fixed in place with sufficient dilation clearance along their clamped axis. A special double lamella fork and the pairwise arrangement of the lamella carrier rails enable these butt joints. A dual-zone system ensures a favourable lamella sag ratio. Example (SL 5001): Span 2 m → 1.2 mm and 2.8 m → 4.6 mm.



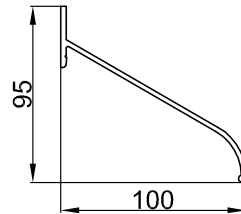
SOL_4.1_004.dwg

Lamella forms and lamella spacing

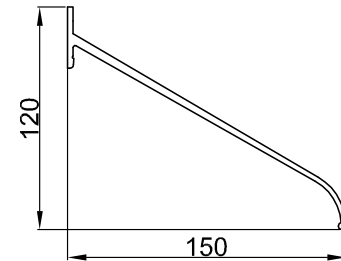
4.1
5



Lamella SL 5000



Lamella SL 5001



Lamella SL 5002

Lamella form	Span		Proportion of unobstructed view	Depth of the clamping plate	Spacing between cover strip and lamella
	Installation height /m	Free span			
SL 5000	0 - 10	3.0 m	30 - 38%	40 mm	approx. 135 mm
	10 - 20	2.8 m		100 mm	approx. 195 mm
	20 - 100	2.5 m		150 mm	approx. 245 mm
SL 5001	0 - 10	2.8 m	38 - 40%	40 mm	approx. 135 mm
	10 - 100	2.3 m		100 mm	approx. 195 mm
SL 5002	0 - 5	2.5 m	42 - 46%	40 mm	approx. 135 mm
	5 - 100	2.2 m		100 mm	approx. 195 mm
				150 mm	approx. 245 mm

Installation site	Lamella spacing for SL 5000			Lamella spacing for SL 5001			Lamella spacing for SL 5002		
	East	South	West	East	South	West	East	South	West
Berlin	195	185	190	160	155	155	214	207	207
Bochum	190	191	199	155	161	164	208	217	220
Bremen	189	191	196	154	161	161	206	217	217
Frankfurt/M.	194	191	196	159	161	161	213	217	217
Hamburg	190	189	194	155	159	159	207	214	214
Hannover	191	190	195	156	160	160	209	215	215
Leipzig	196	186	191	161	156	156	216	209	209
Munich	201	187	192	166	157	157	223	210	210
Stuttgart	196	191	196	161	161	161	216	216	216

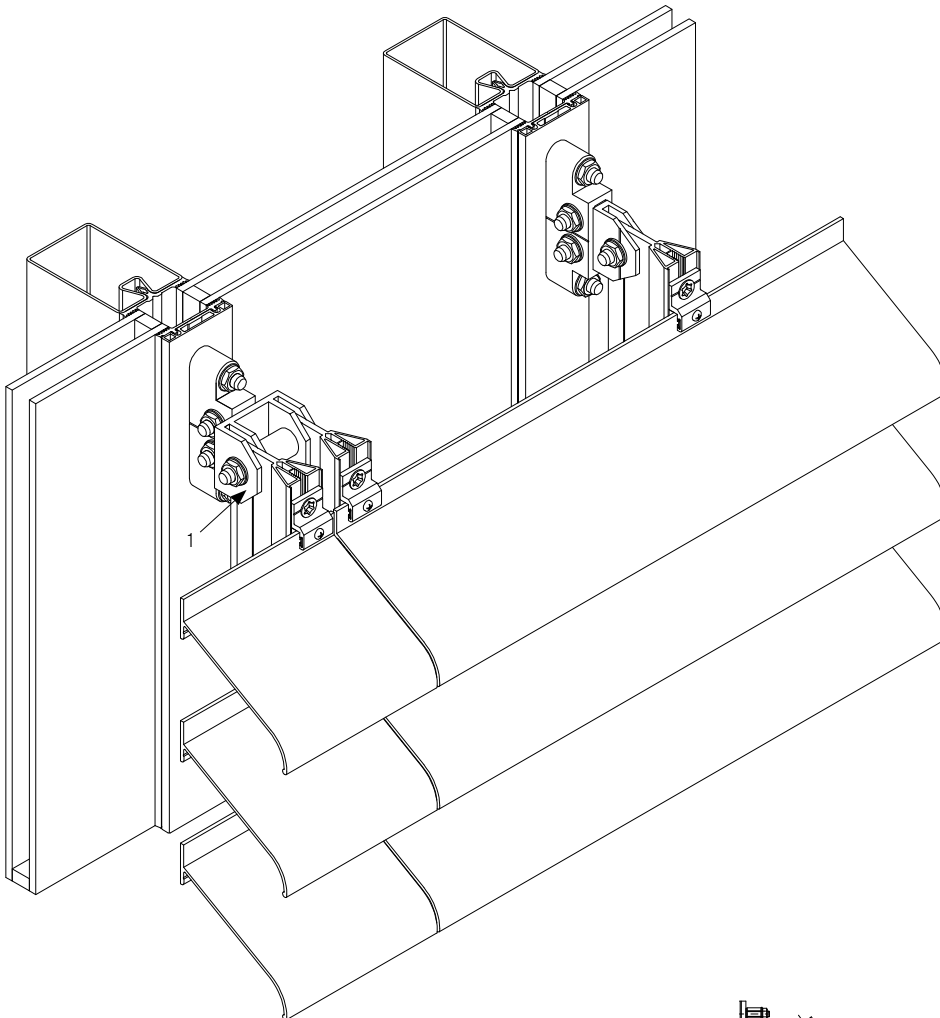
Table with values for lamella spacing X in millimetres

Clamping plate spacing

The vertical spacing between the sun protection attachment points on the mullion, i.e. rafters, must not be greater than 2 m.

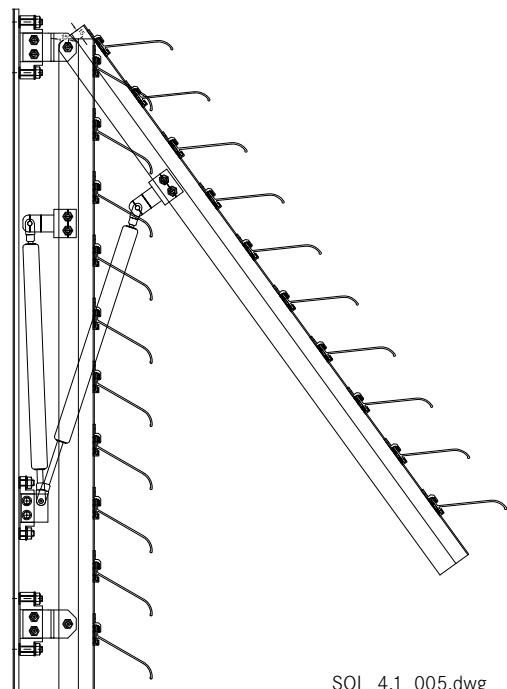
Cleaning function

4.1
6



Movable lamella zone

It is advantageous to raise the sun protection in zones in order to clean the glass surface located underneath. The lamella carrier rails must be arranged pairwise for this purpose. Here, a special double lamella fork (1) is used to support the lamella carrier rails. When necessary, the corresponding screw fittings are loosened and the sun protection zone can be raised or folded down by hand. Gas springs increase the ease of use.



Stabalux SOL Project planning

Project planning with Stabalux SOL

4.2
1

The facade alignment and the passage of the sun at times of the day and the year must be considered when preparing the sun protection project. The first hour after sunrise and the final two hours before sunset can be dis-

regarded in calculating the daily passage of the sun. In our latitudes, the sun is never higher than 15° relative to the horizon during these times. There will be no nuisance caused by energy irradiation in these hours.

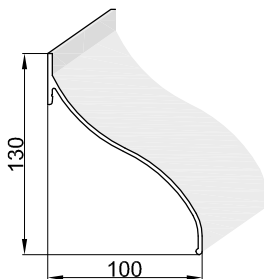
Enquiries concerning Stabalux SOL sun protection

We require the following information from you in order to compile all of the necessary system components correctly:

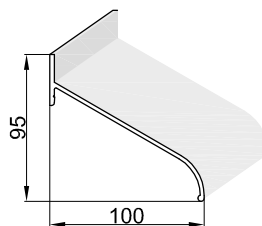
For BV _____ Pos: _____

1) Lamella type

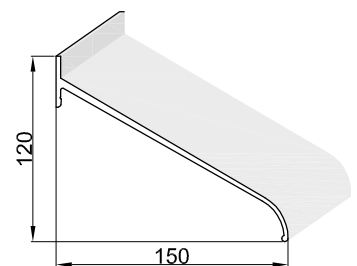
SL 5000 [...]



SL 5001 [...]



SL 5002 [...]



2) Property location

Post code: _____ Town/city: _____ Country: _____

Latitude: _____ ° Longitude: _____ °

3) Installation height of the sun protection

[...] < 5 m [...] > 5 m [...] > 10 m [...] > 20 m [...] > 100 m

4) Alignment of the sun protection (facing the sky)

[...] North [...] East [...] South [...] West
 [...] Northeast [...] Southeast [...] Southwest [...] Northwest

5) Inclination of the sun protection surface relative to the perpendicular

_____ °

Stabalux SOL Project planning

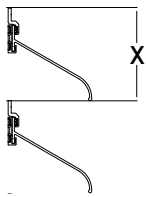
Project planning with Stabalux SOL

4.2
1

6) Desired active times for the sun protection system

from ----- until ----- from month ----- to month -----

7) Lamella spacing [in mm]



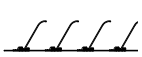


[...] Lamella spacing defined by the customer → Unit "X" = ----- mm

or

[...] Defined by Stabalux based on a local and in-house calculation of the sun's position

8) Lamella installation alignment

[...] vertical  [...] inclined *Degree of incline* -----  [...] horizontal 

9) Size of the overall sun protection surface (overall)

(Height x width in mm) ----- x -----

Number of sun protection zones -----

10) Mullion/rafter spacing

----- mm

(Kindly submit any sketches and planning documents).

11) Depth of the clamping plates

Defined by the distance between the cover strip and the lamella

[...] 40 mm [...] 100 mm [...] 150 mm

Stabalux SOL Project planning

Project planning with Stabalux SOL

4.2
1

12) Cleaning function

Easy cleaning of the glass surfaces thanks to zonal folding down of the sun protection system

[...] Yes [...] No

13) Attachment of the sun protection

[...] Stabalux system

[...] Stabalux H

[...] Stabalux ZL

[...] Stabalux SR

[...] Stabalux AK

[...] alternative facade system

[...] directly on the masonry

Each attachment point will require 2 pcs. M10 threaded bars with at least 35 mm free threaded length to make the attachment. Stabalux defines the positions of the attachment points.

We also supply the sun protection anchors for the Stabalux glazing systems.

14) Surfaces

The screw fittings are made of rustproof materials. By standard, we deliver aluminium fasteners as 'mill-finished' or 'anodized E6EV1'

[...] all fasteners mill-finished

[...] Lamellae mill-finished

[...] all fasteners in E6EV1

[...] Lamellae in E6EV1

[...] all fasteners in RAL - - - - -

[...] Lamellae in RAL - - - - -

15) Sketches/diagrams